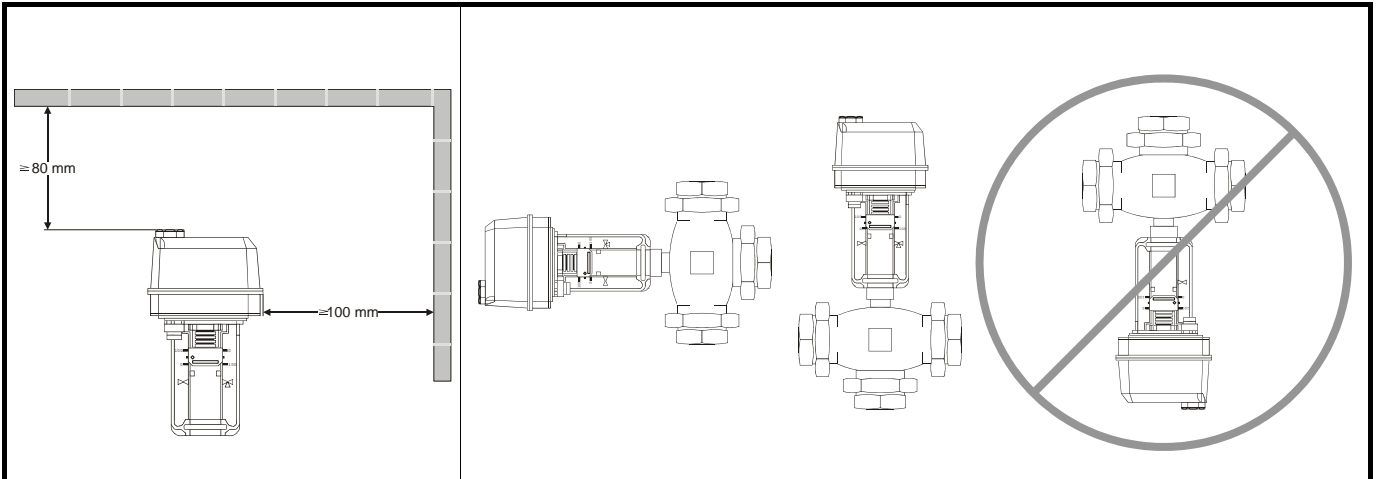


- D Montageanweisung
- F Instructions d'installation
- I Istruzioni di montaggio
- NL Installatievoorschrift
- DK Installasjonsinstruktus
- N Installationsinstruktioner
- FIN Asennusohje
- S Installation instruktioner
- E Instrucciones de montaje

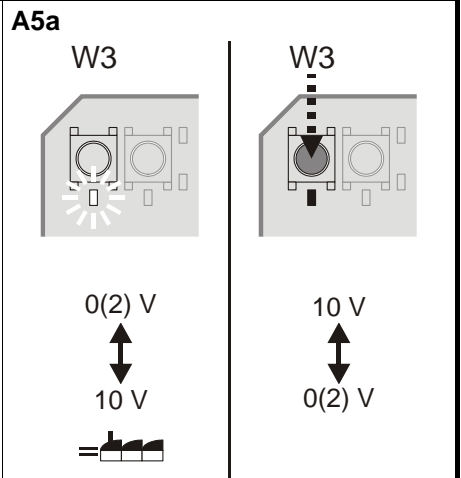
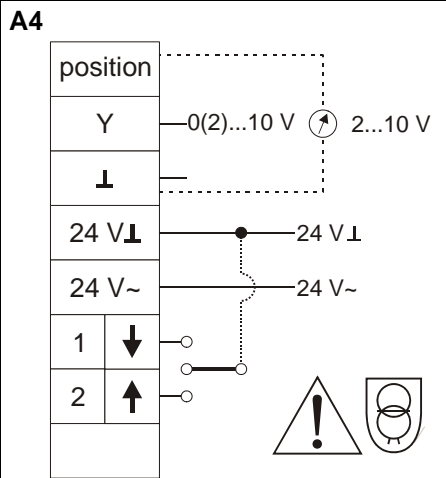
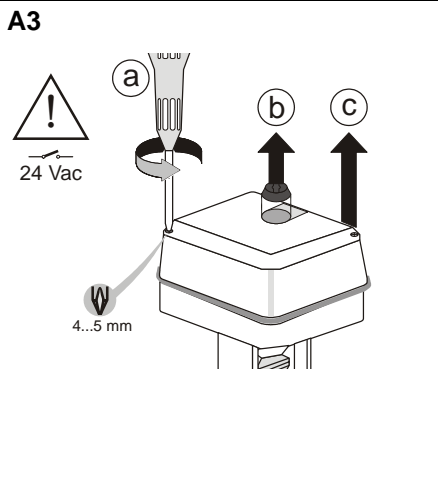
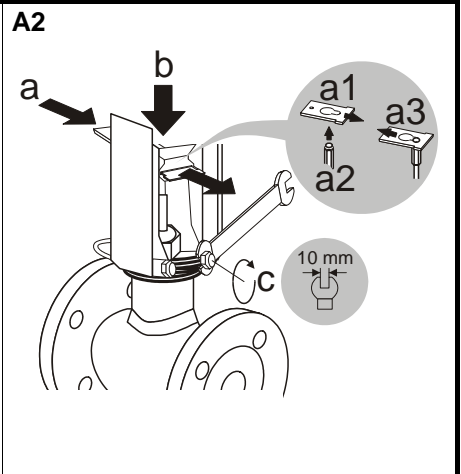
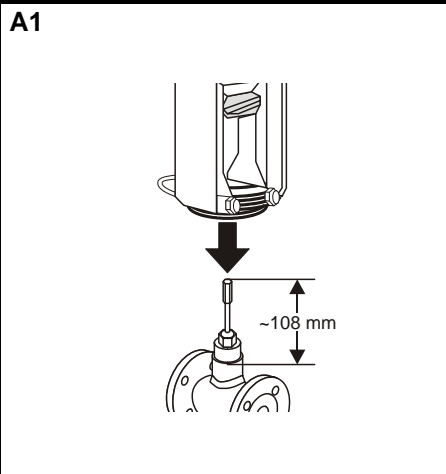
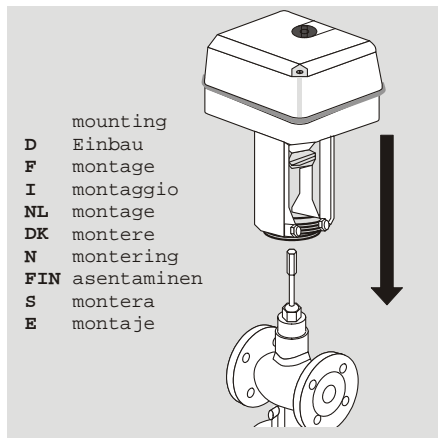
## ML7420A6009/6017

### Electric Linear Valve Actuators

#### INSTALLATION INSTRUCTIONS



#### A1-A6: Installation



**A5b**

W2

0 ... 10 V

W2

2 ... 10 V

**A5c**

W1

W1

W1

0%

50%

100%

**A6**

c

b

a

24 Vac

**B: Manual**

**C1-2: Dismounting**

dismounting

D Ausbau

F démontage

I smontaggio

NL demontage

DK afmontere

N demontere

FIN purkaminen

S nedmontera

E desmontaje

**C1**

50%

0

100

**C2**

A3 → A4 → A2 → A1