



MICRO SWITCH™  
Hazardous Area Switches  
**LSX Series**



# MICRO SWITCH™ LSX Series Hazardous Area Limit Switches

MICRO SWITCH™ LSX hazardous area switches are designed for use in adverse environments. They are approved for use in hazardous locations and NEMA classified atmospheres because their rugged housings have integral flame paths. These flame paths force internal expanding gases to cool below external atmosphere ignition temperatures before they leave the housing. The LSX also features tracking interchangeability with MICRO SWITCH™ BX Series Hazardous Area switches. An optional mounting plate provides the same tracking and mounting as the standard HDLS Series (heavy-duty limit switch).

The majority of HDLS operating heads and circuitry options are available for the LSX Series. The rotary actuated LSX series products are designed for use with levers that have non-sparking actuators due to the potentially hazardous environment. The other styles of LSX Series switches which are the plunger actuated and wobble actuated products incorporate an integral non-sparking actuator.

## *What makes our switches better?*

- Industry-leading breadth of product
- Weather sealed to NEMA 1, 3, 4, 6, 13  
Explosion proof to NEMA 7 (Class 1, Division 1 & 2, Groups B, C, D),  
NEMA 9 (Class 2, Division 1 & 2, Groups E, F, G)
- Extensive variety of actuation heads and multiple non-sparking actuators
- All metal drive train that offers consistent operating characteristics through a broad temperature range. Also lasts longer (without need for frequent adjustment) than drive trains with plastic parts



SAFE • RELIABLE  
EXPLOSION PROOF • WEATHER SEALED

## Features and Benefits

### DESIGN FLEXIBILITY

MICRO SWITCH™ LSX limit switches' field adjustability (CW-CCW operation, rotatable operating head) assists in matching the switch to the application. Available with momentary, maintained, sequential, or center neutral action.

*All-metal drive train for consistent operation*

### UNIQUE DESIGN FEATURES

The head design is keyed for more **secure head-to-body retention** with the head indexable in any one of four positions 90° apart. Captive mounting screws in the heads help prevent the loss of screws during replacement or repositioning of the head. Self-lifting pressure plate terminals **save wiring time**.

*Industry-leading breadth of products*

### WITHSTANDS MANY CAUSTIC ENVIRONMENTS

A **die-cast zinc head** and aluminum body make the LSX suitable for indoor and outdoor applications. A **diaphragm seal** between the head and body is designed to provide an extra measure of protection. Switches remain functional when exposed to many severe environments and caustic chemicals.

### OPTIONAL SEALS

Standard seals are suitable for most applications, but **optional fluorocarbon or fluorosilicone seals** are available for many harsh chemical, high or low temperature environments.

### DESIGNED TO CONTROL LOW-VOLTAGE DC APPLICATIONS

Hazardous area switches are available with a choice of **silver or gold-plated contacts** to handle a variety of electrical load requirements from low energy to power-duty control.

## Potential Applications



### **GRAIN ELEVATORS**

Monitors plugged grain conveyors, slide gate position, diverter valves, and leg positions

### **CONTROL VALVES AND ACTUATORS**

Senses the “on” or “off” position of the valve

### **ON-SHORE DRILLING**

Detects end of travel positions for extend and retract operations of drilling equipment



### **PIPELINES**

Monitors pig position and resulting pipeline health

### **PETROCHEMICAL AND CHEMICAL PLANTS**

Monitors the position of control valves, doors, and gates

### **WATER TREATMENT PLANTS**

Detects control valve position



### **PAINT BOOTHS**

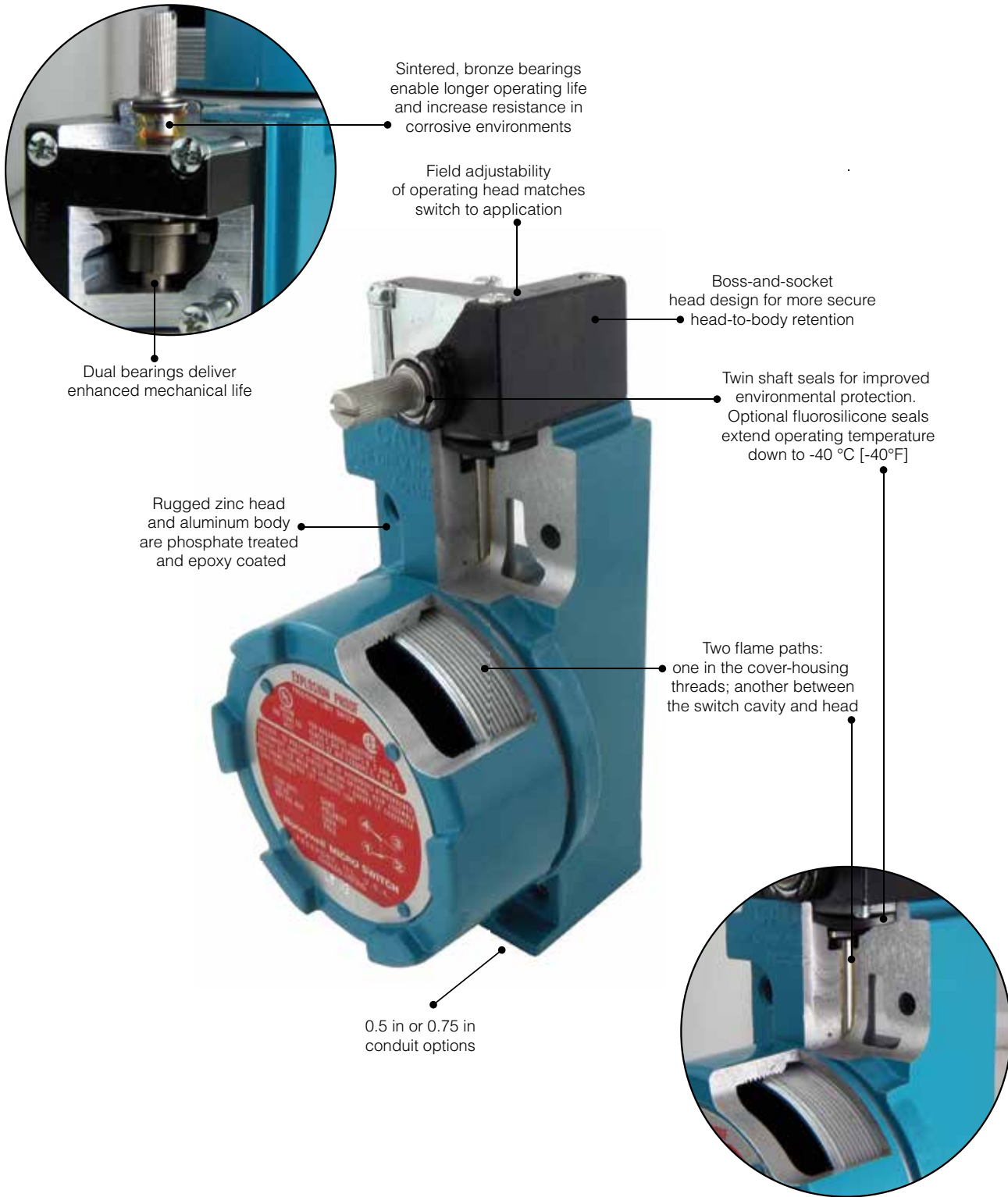
Door interlocks for sliding or hinged gates or doors

### **HAZARDOUS WASTE HANDLING**

Often used as a valve position monitor

# MICRO SWITCH™ Hazardous Area Limit Switches

Figure 1. MICRO SWITCH™ LSX SERIES FEATURES AND OPTIONS



# LSX Series

Figure 2. MICRO SWITCH™ LSX SERIES NOMENCLATURE

LSX	J	3K		7A
Switch Type	Head Style	Circuitry and Conduit Connection	Modification Code	Actuator Options**
LSX Series Hazardous Area Switch	<b>A</b> Side rotary; momentary	<b>3E</b> 1NO/1NC, gold contacts, 1/2-14NPT	<b>1</b> CW rotation	<b>1</b> Fixed roller, 1.5 in radius
	<b>B</b> Top rotary; momentary	<b>3K</b> 1NO/1NC, 1/2-14NPT	<b>2</b> CCW rotation	<b>1A</b> Fixed 0.75 in x 0.25 in nylon roller, 1.5 in radius
	<b>C</b> Top plunger, plain	<b>3N</b> SPNC direct acting, 1/2-14NPT	<b>3</b> Head assembled with actuator to right side	<b>1C</b> Fixed 0.75 in x 0.25 in nylon roller, 1.5 in radius
	<b>D</b> Top plunger, roller	<b>4K</b> 1NO/1NC, 3/4-14NPT	<b>4</b> Head assembled with actuator to left side	<b>2</b> Adjustable, rollerless
	<b>E</b> Side plunger plain; momentary	<b>4L</b> 2NO/2NC, 3/4-14NPT	<b>5</b> Head assembled with actuator toward mounting surface	<b>2A</b> Adjustable, 0.75 in x 0.25 in nylon roller
	<b>F</b> Side plunger roller; momentary	<b>4M</b> 2NO/2NC, 3/4-14NPT, sequential operation	<b>6</b> Roller perpendicular to mounting surface	<b>2C</b> Adjustable, 0.75 in x 0.25 in nylon roller
	<b>H</b> Side rotary, momentary; low PT, low torque	<b>4N</b> 2NO/2NC, 3/4-14NPT, center neutral	<b>8</b> Roller on side plunger in vertical position	<b>2J</b> Adjustable, 1.0 in x 0.5 in nylon roller
	<b>J</b> Wobble stick	<b>4S</b> 2NO/2NC, gold contacts, 3/4-14NPT		<b>2K</b> Adjustable, 0.5 in x 0.25 in nylon roller
	<b>K</b> Whisker	<b>4T</b> 2NO/2NC, gold contacts, 3/4-14NPT, sequential operation		<b>3E</b> Yoke, 0.75 in x 0.25 in nylon roller
	<b>L</b> Side rotary; sequential	<b>4U</b> 2NO/2NC, gold contacts, 3/4-14NPT, center neutral		<b>3M</b> Yoke, 0.75 in x 0.25 in nylon roller
	<b>M</b> Side rotary; central neutral	<b>7L</b> 2NO/2NC, 1/2-14NPT		<b>3S</b> Yoke, 0.75 in x 0.25 in nylon roller, same side
	<b>N</b> Side rotary; maintained	<b>7M</b> 2NO/2NC, 1/2-14NPT, sequential operation		<b>4</b> Hub only
	<b>P</b> Side rotary, momentary; low PT and DT	<b>7N</b> 2NO/2NC, 1/2-14NPT, center neutral		<b>4M</b> Hub rod, aluminum
	<b>R</b> Side rotary, momentary; low torque	<b>7S</b> 2NO/2NC, gold contacts, 1/2-14NPT		<b>5</b> Offset, rollerless
	<b>U</b> Side rotary, low pre-travel	<b>7T</b> 2NO/2NC, gold contacts, 1/2-14NPT, sequential operation		<b>5A</b> Offset, 0.75 in x 0.25 in nylon roller
	<b>V</b> Top plunger, adjustable	<b>7U</b> 2NO/2NC, gold contacts, 1/2-14NPT, center neutral		<b>5C</b> Offset, 0.75 in x 0.25 in nylon roller
	<b>W</b> Side plunger, adjustable			<b>7A</b> Plastic wobble stick

Not all combinations available. Please contact Honeywell for assistance.  
 \*\* Levers can be ordered separately. See Levers for Side Rotary Actuated Switches table

To order high temperature versions, insert the additional letters **Y** and **C** in the appropriate places in the standard catalog listing, as shown below:

<b>LSXA3K</b>	standard, side-rotary plug-in switch
<b>LSXYAC3K</b>	completely FC-sealed version of LSXA3K

To order low temperature versions, insert the additional letters **Y** and **B** in the appropriate places in the standard catalog listing, as shown below:

<b>LSXA3K</b>	standard, side-rotary plug-in switch
<b>LSXYAB3K</b>	low-temperature version of LSXA3K

For more details, please see page 8.

# MICRO SWITCH™ Hazardous Area Limit Switches

**Table 1. Specifications**

Characteristic	Parameter
Product type	MICRO SWITCH™ hazardous area limit switches
Actuators	side pin plunger side rotary top pin plunger - adjustable wobble - cat whisker side pin plunger - adjustable side rotary maintained top roller plunger wobble - plastic rod side roller plunger top pin plunger top rotary
Circuitry	1NC 1NO SPDT snap action, double break 2NC 2NO DPDT snap action, double break 2NC 2NO DPDT snap action, double break, sequential 2NC 2NO DPDT snap action, double break, center neutral
Electrical	10 A thermal single and double pole: AC15 A600, AC15 B600; DC13 R300 (see table on page 8)
Housing material	zinc head, aluminum body
Termination types	0.5 in - 14 NPT conduit 0.75 in - 14 NPT conduit
Housing type	LSX non-plug-in
Agency approvals and standards	UL, CSA
Sealing	NEMA 1, 3, 4, 6, 13
Hazardous area designations	NEMA 7 (Class 1, Division 1 & 2, Groups B, C, D), NEMA 9 (Class 2, Division 1 & 2, Groups E, F, G)
Operating temperature*	standard: -12 °C to 121 °C [10 °F to 250 °F] optional: -40 °C to 121 °C [-40 °F to 250 °F]
UNSPSC code	39122213
UNSPSC commodity	39122213 Limit Switch

\* Reference operating head styles on page 9 and 10 for exceptions.

# LSX Series

## MICRO SWITCH™ LSX SERIES ELECTRICAL RATINGS: 10 A CONTINUOUS CARRY ac VOLTS; PILOT DUTY: AC15, A600

Electrical Rating	Circuitry	Vac	Amps at 0.35 Power Factor Make	Amps at 0.35 Power Factor Break
AC15, A600	SPDT DPDT	120	60	6
		240	30	3
		480	15	1.5
		600	12	1.2

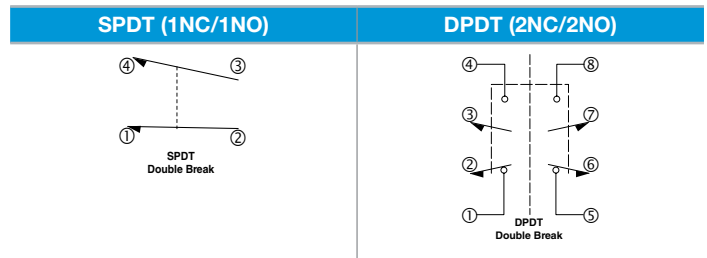
## MICRO SWITCH™ LSX SERIES ELECTRICAL RATINGS: dc VOLTS; PILOT DUTY: DC13, R300

Electrical Rating	Circuitry	Vdc	Make & Break Amps Inductive	Make & Break Amps Resistive
DC13, R300	SPDT DPDT	120	0.25	0.8
		240	0.15	0.4

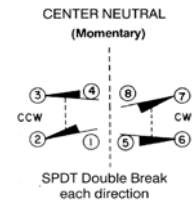
MICRO SWITCH™ LSX limit switches are capable of the following low voltage dc loads

Circuitry	Vdc	Amps Inductive	Amps Resistive
SPDT, DPDT	24	10	10

## SWITCH CONTACT STYLES, DOUBLE BREAK



Center Neutral (SPDT each direction)  
Pole 1 operates CCW; Pole 2 operates CW



NOTE: Same polarity each pole

## TEMPERATURE LIMITS

	Standard LSX				Low Temperature LSX (Fluorosilicone Sealed): Y_B				High Temperature LSX (Fluorocarbon Sealed)*: Y_C		
	Low Limit		High Limit		Low Limit		High Limit		Low Limit	High Limit	
	-12 °C [10 °F]	-1 °C [30 °F]	93 °C [200 °F]	121 °C [250 °F]	-40 °C [-40 °F]	-29 °C [-20 °F]	93 °C [200 °F]	121 °C [250 °F]	-12 °C [10 °F]	-1 °C [30 °F]	121 °C [250 °F]
LSXA - Side Rotary Momentary	•			•	•			•	•		•
LSXB - Top Rotary		•		•		•		•		•	•
LSXC - Top Plain Plunger	•		•		•		•		•		•
LSXD - Top Roller Plunger	•		•		•		•		•		•
LSXE - Side Plain Plunger	•		•		•		•		•		•
LSXF - Side Roller Plunger	•		•		•		•		•		•
LSXH - Side Rotary, Low Diff, Low Torque		•		•		•		•		•	•
LSXJ - Wobble Stick	•		•		•		•		•		•
LSXK - Cat Whisker	•		•			•		•	•		•
LSXL - Side Rotary, Sequence	•			•	•			•	•		•
LSXM - Side Rotary, Center Neutral		•		•	•			•		•	•
LSXN - Side Rotary, Maintained		•		•		•		•		•	•
LSXP - Side Rotary, Low Diff	•			•	•			•	•		•
LSXR - Side Rotary, Low Torque		•		•		•		•		•	•
LSXU - Side Rotary, 5° Low Pretravel	•			•							•
LSXV - Top Adjustable Plunger	•		•		•		•		•		•
LSXW - Side Adjustable Plunger	•		•		•		•		•		•

\* For LSX application wherein the upper temperature limit is normally above 93 °C [200 °F], extended switch life can be obtained by using completely fluorocarbon-sealed switches rather than standard LSX.



# MICRO SWITCH™ Hazardous Area Limit Switches

## SPECIAL OPTIONS

### HIGH TEMPERATURE/CHEMICAL RESISTANT SWITCHES

Completely fluorocarbon (FC)-sealed switches have a full FC body gasket covering the switch cavity. Rotary types have an extra FC seal on the operating shaft, while plunger versions have FC boot seals. They are designed for use in applications where the environment includes fire-resistant synthetic fluids. In addition, the FC-sealed switches may be used with such industrial fluids as Cellulube, Fyrquell, Houghto-Safe, Pydraul, and other special cutting and hydraulic fluids. The additional FC seals also promote extended operating life for rotary-actuated LSX switches in applications where the temperatures are normally -12 °C to 121 °C [10 °F to 250 °F].

To order, insert the additional letters **Y** and **C** in the appropriate places in the standard catalog listing, as shown below:

<b>LSXA3K</b>	standard, side-rotary plug-in switch
<b>LSXYAC3K</b>	completely FC-sealed version of LSXA3K

### LOW TEMPERATURE SWITCHES

All forms of LSX limit switches are also available in low-temperature construction. Design features include fluorosilicone diaphragm, shaft seals, and external boot seal (where applicable).

To order, insert the additional letters **Y** and **B** in the appropriate places in the standard catalog listing, as shown below:

<b>LSXA3K</b>	standard, side-rotary plug-in switch
<b>LSXYAB3K</b>	low-temperature version of LSXA3K

## MICRO SWITCH™ LSX SERIES OPERATING HEADS

**SIDE ROTARY:** Heads may be positioned in any one of four positions, 90° increments. All are momentary action except maintained head (LSXN Series).



**LSXA - Standard:** 60° minimum overtravel, 15° maximum pretravel, 5° (single pole) and 7° (double pole) maximum differential travel.

**LSXR - Low operating torque:** 60° minimum overtravel, 15° maximum pretravel, 0.19 Nm [1.7 in-lb] maximum operating torque.

**LSXN - Maintained contact:** Maintained on counterclockwise rotation and reset on clockwise rotation, and vice versa.

**LSXP - Low differential:** 68° minimum overtravel, 9° maximum pretravel, 3° (single pole) and 4° (double pole) maximum differential travel.

**LSXH - Low torque, low differential travel:** 68° minimum overtravel. Features low operating torque and narrow differential travel.

**LSXL - Sequence action:** 48° minimum overtravel. Delayed action between operation of two poles.

**LSXM - Center neutral:** 57° minimum overtravel. One pole operates on the clockwise rotation, and the other pole on the counterclockwise rotation.

**LSXU - Low pretravel:** 5° max. pretravel, 70° min. overtravel.

**TOP ROTARY:** Available levers provide greater versatility. Heads may be positioned in any one of four positions, 90° increments. All are momentary action.




**LSXB:** With 100° minimum overtravel. Various levers that fit side rotary shafts may be used on the top rotary shaft. Switch is suitable for use when increased overtravel is required.




# LSX Series

## MICRO SWITCH™ LSX SERIES OPERATING HEADS



**TOP PLUNGERS:** Available with 4,83 mm [0.19 in] minimum overtravel. Top pin plungers are offered in pin plunger, an adjustable plunger, and a roller plunger.

	<p><b>LSXC - Top pin plunger:</b> A copper alloy plunger for in-line actuating motion. Oil-tight seals on plunger and between the operating head and housing are designed to keep out coolant, dust, and chips. Momentary action.</p>
	<p><b>LSXD - Top roller plunger:</b> A copper alloy roller plunger is adjustable to 90° angles to accept cam or slide operation from any of two directions. Boot seal on the plunger. Momentary action.</p>
	<p><b>LSXV - Adjustable top pin plunger:</b> A copper alloy adjustable plunger is designed to simplify the application and decreases installation time. The operating points of the switch can be adjusted from 65,66 mm to 72,0 mm [2.585 in to 2.535 in]. Seals are the same as the pin plunger. Momentary action.</p>

**SIDE PLUNGERS:** Made of non-sparking copper alloy. Available with 4,83 mm [0.19 in] minimum overtravel. Side plungers are offered in plain plunger, an adjustable pin plunger, and a roller plunger.

	<p><b>LSXE - Side pin plunger:</b> A copper alloy plunger for actuating motion inline with the plunger travel. Actuating head may be rotated in any of four positions, 90° apart. A boot seal on the plunger and a gasket seal between the head and housing is designed to keep out coolant, dust, and chips. Momentary action.</p>
	<p><b>LSXF - Side roller plunger:</b> A copper alloy roller plunger fits close quarters under cams and slides. The head may be rotated in any of four positions, 90° apart. <u>The roller can be turned vertical or horizontal to the switch.</u> Boot seal on plunger. Momentary action.</p>
	<p><b>LSXW - Adjustable side pin plunger:</b> Has the same features of the side plain plunger plus the means to adjust the operating points of the switch from 41 mm to 47,4 mm [1.615 in to 1.865 in]. Momentary action.</p>

**WOBBLE LEVER ACTUATING HEADS:** Heads come with either a Delrin® plastic rod or a copper alloy cat whisker. Any movement of the lever (except pull) will actuate the switch.

	
<p><b>LSXJ - Plastic rod:</b> Recommended where possible scratching or marring by the actuator is to be avoided.</p>	<p><b>LSXK - Cat whisker:</b> Copper alloy actuator designed for low operating force applications.</p>

# MICRO SWITCH™ Hazardous Area Limit Switches

## SIDE ROTARY • MICRO SWITCH™ LSX SERIES ORDER GUIDE/RECOMMENDED LISTINGS



Description	Standard (LSXA)		Low Differential (LSXP)		Low Torque (LSXR)	
	SPDT	DPDT	SPDT	DPDT	SPDT	DPDT
<b>Pretravel</b>	15° max.		9° max.		15° max.	
<b>Differential travel</b>	5° max.	7° max.	3° max.	4° max.	5° max.	7° max.
<b>Overtravel</b>	60° min.		66° min.		60° min.	
<b>Operating torque</b>	0,45 Nm [4 in-lb] max.		0,45 Nm [4 in-lb] max.		0,19 Nm [1.7 in-lb] max.	
<b>Action</b>	Momentary, CW, & CCW (Spring return)					
<b>Operating temperature range<sup>2</sup></b>	-12 °C to 121 °C [10 °F to 250 °F]				-1 °C to 121 °C [30 °F to 250 °F]	

		Contacts	Conduit (NPT)			
SPDT		Silver	0.5 in	<b>LSXA3K</b>	<b>LSXP3K</b>	<b>LSXR3K</b>
		Silver	0.75 in	<b>LSXA4K</b>	<b>LSXP4K</b>	<b>LSXR4K</b>
		Gold <sup>1</sup>	0.5 in	<b>LSXA3E</b>	<b>LSXP3E</b>	<b>LSXR3E</b>
DPDT		Silver	0.5 in	<b>LSXA7L</b>	<b>LSXP7L</b>	<b>LSXR7L</b>
		Silver	0.75 in	<b>LSXA4L</b>	<b>LSXP4L</b>	<b>LSXR4L</b>
		Gold <sup>1</sup>	0.75 in	<b>LSXA4S</b>	<b>LSXP4S</b>	<b>LSXR4S</b>

<sup>1</sup> Gold-plated contacts

<sup>2</sup> Completely fluorocarbon sealed switches are preferred for use in temperatures above 93 °C [200 °F]. For low temperature or high temperature versions, see page 9.

# LSX Series

## SIDE ROTARY • MICRO SWITCH™ LSX SERIES ORDER GUIDE/RECOMMENDED LISTINGS



Description	Maintained Contact (LSXN)		Low Torque (LSXH)	
	SPDT	DPDT	SPDT	DPDT
	Maintained, 2-position Std.	Maintained, 2-position Std.	Momentary, low torque	Momentary, low torque
<b>Pretravel</b>	65° max.		9° max.	
<b>Differential travel</b>	40° max.		3° max.	4° max.
<b>Overtravel</b>	20° min.		66° min.	
<b>Operating torque</b>	0,45 Nm [4 in-lb] max.		0,19 Nm [1.7 in-lb] max.	
<b>Action</b>	Maintained		Momentary, CW, & CCW (Spring return)	
<b>Operating temp. range<sup>2</sup></b>	-1 °C to 121 °C [30 °F to 250 °F] (for low temp or high temp versions, see page 9)			

Contact closed ■  
 Contact open □

		Contacts	Conduit (NPT)		
SPDT		Silver	0.5 in	<b>LSXN3K</b>	<b>LSXH3K</b>
		Silver	0.75 in	<b>LSXN4K</b>	<b>LSXH4K</b>
		Gold <sup>1</sup>	0.5 in	<b>LSXN3E</b>	<b>LSXH3E</b>
DPDT		Silver	0.5 in	<b>LSXN7L</b>	<b>LSXH7L</b>
		Silver	0.75 in	<b>LSXN4L</b>	<b>LSXH4L</b>
		Gold <sup>1</sup>	0.75 in	<b>LSXN4S</b>	<b>LSXH4S</b>

<sup>1</sup> Gold-plated contacts

<sup>2</sup> Completely fluorocarbon sealed switches are preferred for use in temperatures above 93 °C [200 °F]  
 For low temperature or high temperature versions, see page 9.

# MICRO SWITCH™ Hazardous Area Limit Switches

## SIDE ROTARY • MICRO SWITCH™ LSX SERIES ORDER GUIDE/RECOMMENDED LISTINGS



	Center Neutral (LSXM)	Sequence Action (LSXL)
<b>Description</b>	Center Neutral (Pole 1 operates CCW; Pole 2 operates CW)	Sequential (Pole 1 operates before Pole 2, either CW, CCW, or both)
	<b>DPDT</b>	<b>DPDT</b>
<b>Pretravel</b>	18° max.	1 <sup>st</sup> : 15°; 2 <sup>nd</sup> : additional 10°
<b>Differential travel</b>	10° max.	each pole: 5°
<b>Overtravel</b>	57° min.	48° min.
<b>Operating torque</b>	0,45 Nm [4 in-lb] max.	0,45 Nm [4 in-lb] max.
<b>Action</b>	CW & CCW (Spring return)	
<b>Operating temp. range<sup>2</sup></b>	-1 °C to 121 °C [30 °F to 250 °F]	-12 °C to 121 °C [10 °F to 250 °F]

	Contacts	Conduit (NPT)		
<b>DPDT</b> 	Silver	0.5 in	<b>LSXM7N</b>	<b>LSXL7M</b>
	Silver	0.75 in	<b>LSXM4N</b>	<b>LSXL4M</b>
	Gold <sup>1</sup>	0.5 in	<b>LSXM7U</b>	<b>LSXL7T</b>
	Gold <sup>1</sup>	0.75 in	<b>LSXM4U</b>	<b>LSXL4T</b>

<sup>1</sup> Gold-plated contacts

<sup>2</sup> Completely fluorocarbon sealed switches are preferred for use in temperatures above 93 °C [200 °F]  
For low temperature or high temperature versions, see page 9.

# LSX Series

## TOP ROTARY • MICRO SWITCH™ LSX SERIES ORDER GUIDE/RECOMMENDED LISTINGS



Description	Standard (LSXB)	
	Standard	
	<p><b>SPDT</b></p> <p>Snap Action 1NO/1NC</p>	<p><b>DPDT</b></p> <p>Snap Action 2NO/2NC</p>
	<p>■ Contact closed</p> <p>□ Contact open</p>	
<b>Pretravel</b>	25° max.	
<b>Differential travel</b>	10° max.	12° max.
<b>Overtravel</b>	110° min.	
<b>Operating torque</b>	0,25 Nm [2.5 in-lb]	
<b>Action</b>	Momentary, CW, & CCW (Spring return)	
<b>Operating temp. range<sup>1</sup></b>	-1 °C to 121 °C [30 °F to 250 °F] (for low temp or high temp versions, see page 9)	













	Contacts	Conduit (NPT)		
<b>SPDT</b> Double Break	Silver	0.5 in	<b>LSXB3K</b>	-
	Silver	0.75 in	-	<b>LSXB4L</b>

<sup>1</sup> Completely fluorocarbon sealed switches are preferred for use in temperatures above 93 °C [200 °F]. For low temperature or high temperature versions, see page 9.

# MICRO SWITCH™ Hazardous Area Limit Switches

**Table 2. Common levers for use with MICRO SWITCH™ LSX Rotary Switches\***

Lever for use with side-rotary-actuated switches are available in a wide choice of sizes and materials. The most common listings are shown below. Rollers may be on either side of the lever to best match the external actuating mechanism.






						
<b>Fixed lever, nylon roller</b> <b>LSZ51A</b> - front mount roller <b>LSZ51C</b> - back mount roller		<b>Short fixed lever, nylon roller</b> <b>LSZ59A</b> - front mount roller <b>LSZ59C</b> - back mount roller		<b>Offset lever, nylon roller</b> <b>LSZ55A</b> - back mount roller <b>LSZ55C</b> - front mount roller		
						
<b>One-way lever, nylon roller</b> <b>LSZ60A</b> - front mount roller		<b>Yoke lever, nylon rollers</b> <b>LSZ53A</b> - front/back mount rollers				
						
<b>Adjustable lever, nylon roller</b> <b>LSZ52A</b> - back mount roller <b>LSZ52C</b> - front mount roller	<b>LSZ52J</b> adjustable lever, nylon roller 25,4 mm [1 in]	<b>LSZ52K</b> adjustable lever, nylon roller 38,1 [1.5 in]	<b>LSZ54M</b> aluminum rod 140 mm [5.5 in]	<b>LSZ61</b> loop 152 mm [6 in]	<b>LSZ67CA**</b> Plastic conveyor roller	<b>LSZ68</b> rod with spring 305 mm [12 in]







\* Non-sparking rollers and actuators must be used in hazardous areas.

\*\* May require orientation of switch and lever to enable gravity to help restore switch's free position.

# LSX Series

Table 3. LSX Series Lever Order Guide

Catalog Listing	Material	Roller Dia. mm [in]	Roller Width mm [in]	Roller Mounting
<b>Fixed 38,1 mm [1.5 in] radius</b>				
	LSZ51	Rollerless	n/a	n/a
	LSZ51A	Nylon	19 [0.75]	6,35 [0.25] Front
	LSZ51C	Nylon	19 [0.75]	6,35 [0.25] Back
	LSZ51F	Nylon	25,4 [1.0]	12,7 [0.50] Front
	LSZ51G	Nylon	38,1 [1.5]	6,35 [0.25] Front
	LSZ51J	Nylon	25,4 [1.0]	12,7 [0.50] Back
	LSZ51M	Nylon	19 [0.75]	31,7 [1.25] Back
	LSZ51P	Nylon	19 [0.75]	12,7 [0.50] Front
	LSZ251A (sst)	Nylon	19 [0.75]	6,35 [0.25] Front
	LSZ251C (sst)	Nylon	19 [0.75]	6,35 [0.25] Back
	LSZ251E (sst)	Copper alloy	19 [0.75]	6,35 [0.25] Front
	LSZ251F (sst)	Copper alloy	19 [0.75]	6,35 [0.25] Back
<b>Adjustable 38,1 mm [1.5 in] to 89,9 mm [3.5 in] radius</b>				
	LSZ52	Rollerless	n/a	n/a
	LSZ52A	Nylon	19 [0.75]	6,35 [0.25] Back
	LSZ52C	Nylon	19 [0.75]	6,35 [0.25] Front
	LSZ52E	Nylon	19 [0.75]	33,0 [1.30] Front
	LSZ52J	Nylon	25,4 [1.0]	12,7 [0.50] Front
	LSZ52K	Nylon	38,1 [1.5]	6,35 [0.25] Front
	LSZ52M	Nylon	50,8 [2.0]	6,35 [0.25] Front
	LSZ52N	Nylon	19 [0.75]	12,7 [0.50] Front
	LSZ252A (sst)	Nylon	19 [0.75]	6,35 [0.25] Front
	LSZ252C (sst)	Nylon	19 [0.75]	6,35 [0.25] Back
	LSZ252E (sst)	Copper alloy	19 [0.75]	6,35 [0.25] Front
	LSZ252F (sst)	Copper alloy	19 [0.75]	6,35 [0.25] Back
<b>Yoke – 38,1 mm [1.5 in] radius</b>				
	LSZ53A	Nylon	19 [0.75]	6,35 [0.25] Front/Back
	LSZ53E	Nylon	19 [0.75]	6,35 [0.25] Back/Front
	LSZ53M	Nylon	19 [0.75]	31,7 [1.25] Back/Front
	LSZ53S	Nylon	19 [0.75]	6,35 [0.25] Back/Back
<b>Rod</b>				
	LSZ54	Hub only	n/a	n/a
	LSZ54M	Alum., 140 mm [5.5 in]	Ø 3,2 [Ø 0.125]	n/a
	LSZ54N	Stainless, 330 mm [13 in]	Ø 3,2 [Ø 0.125]	n/a
	LSZ54P	Plastic rod, 305 mm [12 in]	Ø6,85 [Ø 0.27]	n/a
LSZ54W	Plastic rod, 183 mm [7.2 in]	Ø6,85 [Ø 0.27]	n/a	
<b>Offset – 38,1 mm [1.5 in] radius</b>				
	LSZ55	Rollerless	n/a	n/a
	LSZ55A	Nylon	19 [0.75]	6,35 [0.25] Back
	LSZ55C	Nylon	19 [0.75]	6,35 [0.25] Front
	LSZ55E	Nylon	19 [0.75]	12,7 [0.50] Front
	LSZ55K	Nylon	38,1 [1.5]	6,35 [0.25] Front

Catalog Listing	Material	Roller Dia. mm [in]	Roller Width mm [in]	Roller Mounting	
<b>Short fixed - 33,02 mm [1.3 in] radius</b>					
	LSZ59A	Nylon	19 [0.75]	6,35 [0.25] Front	
	LSZ59C	Nylon	19 [0.75]	6,35 [0.25] Back	
<b>One-way roller lever</b>					
	LSZ60A	Nylon	19 [0.75]	6,35 [0.25] Front	
<b>Flexible loop</b>					
	LSZ61	Ø 4,8 [Ø 0.19] Nylatron	152 mm [6 in] flexible loop		
	LSZ618	Ø 4,8 [Ø 0.19] Nylatron	241 mm [9.5 in] flexible loop		
	LSZ54	Hub only	n/a	n/a	n/a
<b>Spring rod</b>					
	LSZ68	Delrin rod, 305 mm [12 in]	Ø 6,35 [0.25]	n/a	n/a
	LSZ617	Delrin rod, 406 mm [16 in]	Ø 6,35 [0.25]	n/a	n/a
	LSZ686	Delrin rod, 152 mm [6 in]	Ø 6,35 [0.25]	n/a	n/a
<b>Rubber roller levers</b>					
	LSZ51Y	Rubber	50 [2.0]	12,7 [0.5]	front
	LSZ55Y	Rubber	50 [2.0]	12,7 [0.5]	front
	LSZ52Y	Rubber	50 [2.0]	12,7 [0.5]	front
<b>Plastic roller levers</b>					
	LSZ67AA (conveyor)*	Plastic	38,1 [1.5]	96,5 [3.8]	n/a

\* May require orientation of switch and lever to enable gravity to help restore switch to free position.



# MICRO SWITCH™ Hazardous Area Limit Switches

## TOP PLUNGER • MICRO SWITCH™ LSX SERIES ORDER GUIDE/RECOMMENDED LISTINGS

All top plungers are momentary action.



	Plain (LSXC)		Roller (LSXD)		Adjustable (LSXV)	
<b>Description</b>	Top plain plunger for in-line operating motion		Top roller plunger – can be set at 90° increments to accept cam or slide actuation		Adjustable top plain plunger simplifies installation since operating point can be adjusted from 65,66 mm min.; 72,0 mm max. [2.585 in min; 2.835 in max.]	
<b>Contact closed</b> ■ <b>Contact open</b> □	<b>SPDT</b>	<b>DPDT</b>	<b>SPDT</b>	<b>DPDT</b>	<b>SPDT</b>	<b>DPDT</b>
<b>Pretravel</b>	1,78 mm [0.07 in]					
<b>Differential travel</b>	0,38 mm [0.015 in]	0,51 mm [0.02 in]	0,38 mm [0.015 in]	0,51 mm [0.02 in]	0,38 mm [0.015 in]	0,51 mm [0.02 in]
<b>Overtravel</b>	4,83 mm [0.19 in]					
<b>Opening force</b>	17,8 N [4 lb] max.					
<b>Operating point</b>	58,55 mm ±0,76 mm [2.305 in ±0.030 in]		68,58 mm ±1,02 mm [2.70 in ±0.040 in]		65,66 mm min.; 72,0 mm max. [2.585 in min; 2.835 in max.]	
<b>Operating temp. range<sup>2</sup></b>	-12 °C to 93 °C [10 °F to 200 °F] (for low temp or high temp versions, see page 9)					

	<b>Contacts</b>	<b>Conduit (NPT)</b>			
<b>SPDT</b> 	Silver	0.5 in	<b>LSXC3K</b>	<b>LSXD3K</b>	<b>LSXV3K</b>
	Silver	0.75 in	<b>LSXC4K</b>	<b>LSXD4K</b>	<b>LSXV4K</b>
	Gold <sup>1</sup>	0.5 in	<b>LSXC3E</b>	<b>LSXD3E</b>	<b>LSXV3E</b>
<b>DPDT</b> 	Silver	0.5 in	<b>LSXC7L</b>	<b>LSXD7L</b>	<b>LSXV7L</b>
	Silver	0.75 in	<b>LSXC4L</b>	<b>LSXD4L</b>	<b>LSXV4L</b>
	Gold <sup>1</sup>	0.75 in	<b>LSXC4S</b>	<b>LSXD4S</b>	<b>LSXV4S</b>

<sup>1</sup> Gold-plated contacts

<sup>2</sup> Completely fluorocarbon sealed switches are preferred for use in temperatures above 93 °C [200 °F] For low temperature or high temperature versions, see page 9.

# LSX Series

## SIDE PLUNGER • MICRO SWITCH™ LSX SERIES ORDER GUIDE/RECOMMENDED LISTINGS

All side plungers are momentary action. Heads may be positioned to accept actuation from any of four directions, 90° apart.



	Plain (LSXE)		Roller (LSXF)		Adjustable (LSXW)	
	SPDT	DPDT	SPDT	DPDT	SPDT	DPDT
<b>Description</b>	Side plain plunger for in-line operating motion		Side roller plunger – can be set at 90° increments to accept cam or slide actuation		Adjustable side plain plunger simplifies installation since operating point can be adjusted from 41 mm min.; 47,37 mm max. [1.615 in min.; 1.865 in max.]	
<b>Contact closed</b> ■ <b>Contact open</b> □						
<b>Pretravel</b>	2,54 mm [0.10 in]					
<b>Differential travel</b>	1,14 mm [0.045 in]					
<b>Overtravel</b>	4,83 mm [0.19 in]					
<b>Operating force</b>	26,7 N [6 lb] max.					
<b>Operating point</b>	33,02 mm ±0,76 mm [1.300 in ±0.030 in]		44,07 mm ±1,02 mm [1.735 in ±0.04 in]		41 mm min.; 47,37 mm max. [1.615 in min.; 1.865 in max.]	
<b>Operating temp. range</b> <sup>2</sup>	-12 °C to 93 °C [10 °F to 200 °F] (for low temp or high temp versions, see page 9)					

		Contacts	Conduit (NPT)			
<b>SPDT</b>		Silver	0.5 in	<b>LSXE3K</b>	<b>LSXF3K</b>	<b>LSXW3K</b>
		Silver	0.75 in	<b>LSXE4K</b>	<b>LSXF4K</b>	<b>LSXW4K</b>
		Gold <sup>1</sup>	0.5 in	<b>LSXE3E</b>	<b>LSXF3E</b>	<b>LSXW3E</b>
<b>DPDT</b>		Silver	0.5 in	<b>LSXE7L</b>	<b>LSXF7L</b>	<b>LSXW7L</b>
		Silver	0.75 in	<b>LSXE4L</b>	<b>LSXF4L</b>	<b>LSXW4L</b>
		Gold <sup>1</sup>	0.75 in	<b>LSXE4S</b>	<b>LSXF4S</b>	<b>LSXW4S</b>

<sup>1</sup> Gold-plated contacts

<sup>2</sup> Completely fluorocarbon sealed switches are preferred for use in temperatures above 93 °C [200 °F] For low temperature or high temperature versions, see page 9.

# MICRO SWITCH™ Hazardous Area Limit Switches

## WOBBLE • MICRO SWITCH™ LSX SERIES ORDER GUIDE/RECOMMENDED LISTINGS



LSJ1A-7A  
- Plastic  
rod

LSK1A-  
8A - Cat  
whisker

Contact closed ■  
Contact open □

Description	LSXJ Series 7A Actuator		LSXK Series 8A Actuator	
	SPDT	DPDT	SPDT	DPDT
Actuator length	152,4 mm [6 in]		139,7 mm [5.5 in] copper alloy	
Pretravel	25,4 mm [1.0 in]		51,0 mm [2.0 in]	
Operating force	2,78 Nm [10 oz]		1,39 Nm [5 oz]	
Operating temp. range <sup>2</sup>	-12 °C to 93 °C [10 °F to 200 °F] (for low temp or high temp versions, see page 9)			

	Contacts	Conduit (NPT)		
SPDT Double Break	Silver	0.5 in	LSXJ3K-7A	LSXK3K-8A
	Silver	0.75 in	LSXJ4K-7A	LSXK4K-8A
	Gold <sup>1</sup>	0.5 in	LSXJ3E-7A	LSXK3E-8A
DPDT Double Break	Silver	0.5 in	LSXJ7L-7A	LSXK7L-8A
	Silver	0.75 in	LSXJ4L-7A	LSXK4L-8A
	Gold <sup>1</sup>	0.75 in	LSXJ4S-7A	LSXK4S-8A

<sup>1</sup> Gold-plated contacts

<sup>2</sup> Completely fluorocarbon sealed switches are preferred for use in temperatures above 93 °C [200 °F]  
For low temperature or high temperature versions, see page 9.

# LSX Series

## REPLACEMENT CONTACT BLOCKS

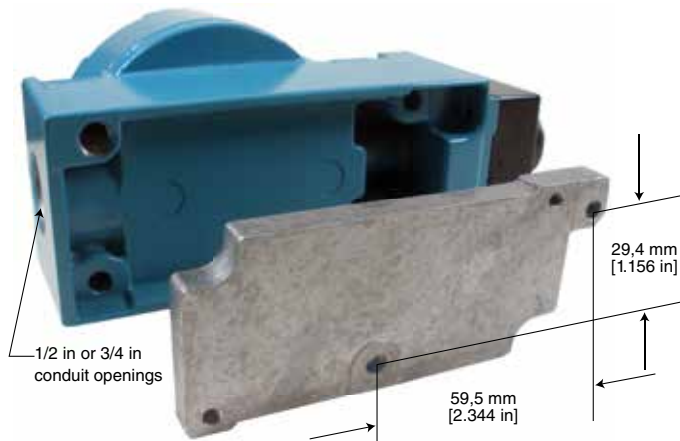
Circuitry	Replacement Contact Block
Single pole	LSXZ3K
Double pole	LSXZ3L
Sequence or central neutral	LSXZ3M

## REPLACEMENT HEADS FOR STANDARD LSX SWITCHES

Switch Type	Catalog Listing/Operating Head Only
LSXA	LSZ1A
LSXB	LSZ1B
LSXC	LSXZ1C
LSXD	LSXZ1D
LSXE	LSXZ1E
LSXF	LSXZ1F
LSXH	LSZ1H
LSXJ	LSZ1JGA
LSXK	LSXZ1KHA
LSXL	LSZ1L
LSXM	LSZ1M
LSXN	LSZ1N
LSXP	LSX1P
LSXR	LSZ1R
LSXU	LSZ1U
LSXV	LSXZ1V
LSXW	LSXZ1W

## ADAPTER PLATE

Catalog listing LSXZ4022 adapter plate enables the NEMA-rated, explosion-proof LSX Series to be mounted on existing HDLS mounting holes. The LSX has a recessed back into which the adapter plate fits and mounts, using two screws (furnished)



## ASSEMBLY MODIFICATIONS

Momentary action rotary switches can be furnished in other than the normal assembled conditions. To specify modifications, add the numbers shown below to the catalog listings. Modification number suffixes are:

- 1 Clockwise actuation only
- 2 Counterclockwise actuation only
- 3 Shaft to right of switch front
- 4 Shaft to left of switch front
- 5 Shaft to back of switch

### For example,

Catalog listing LSXA3K**23** is a LSXA3K switch adjusted for counterclockwise actuation only. The operating shaft is to the right side of the switch when viewing it from the front (label side). No lever.

## PLUNGER ASSEMBLY MODIFICATIONS

Add the following modification numbers to the catalog listing in the plunger switch:

- 3 Side plunger to right of switch front
- 4 Side plunger to left of switch front
- 5 Side plunger to back of switch
- 6 Roller on top plungers perpendicular to mounting surface
- 8 Roller on side plungers in vertical position

### For example,

Catalog listing LSXF3K**3** is a LSXF3K switch with the side roller plunger to the right side.

# MICRO SWITCH™ Hazardous Area Limit Switches

Figure 3. MICRO SWITCH™ LSX SERIES PRODUCT REFERENCE DIMENSIONS • mm [in]  
SIDE ROTARY - HEAD CODES: A, H, L, M, N, P, Q, R, AND U

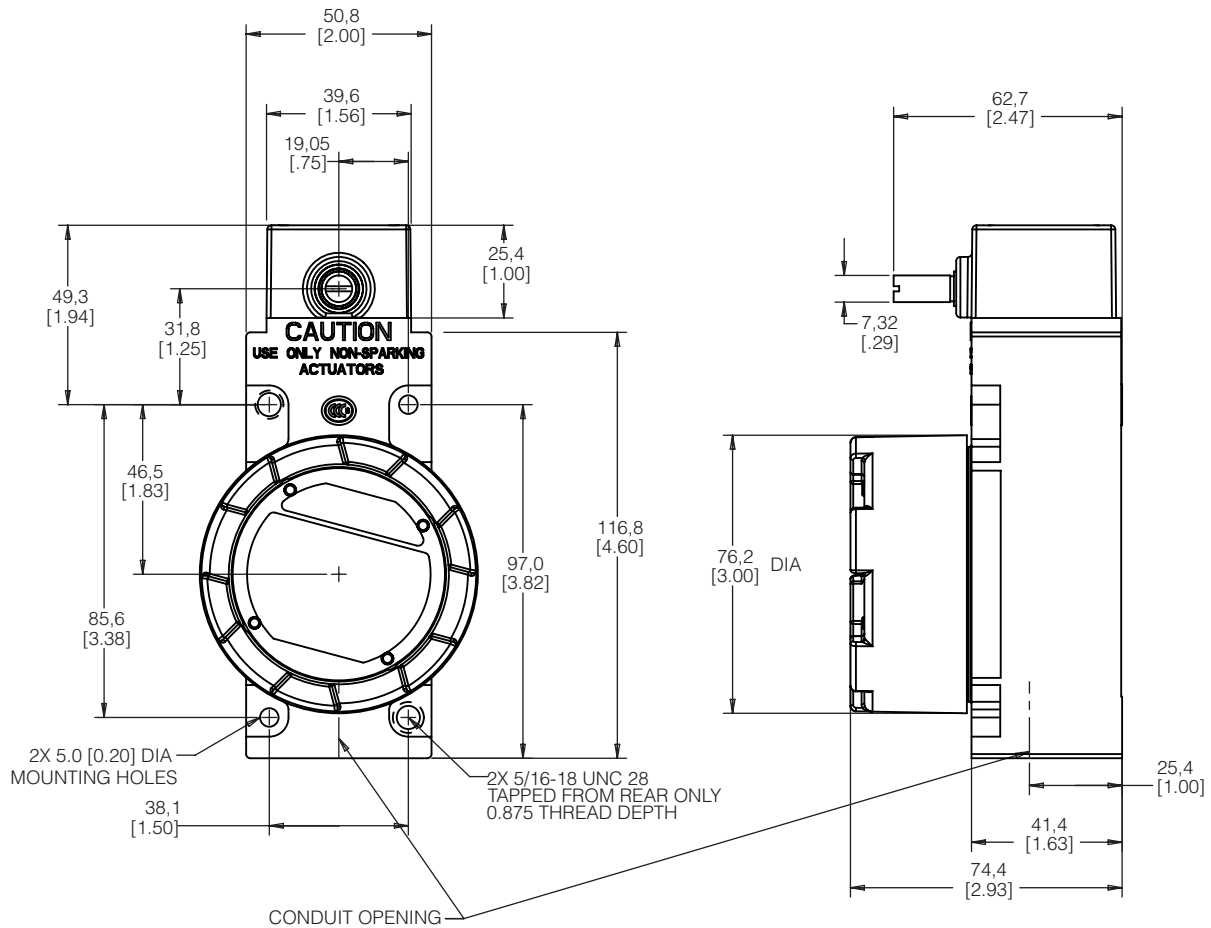


Figure 4. MICRO SWITCH™ LSX SERIES WOBBLE STICK,  
HEAD CODE J • mm [in]

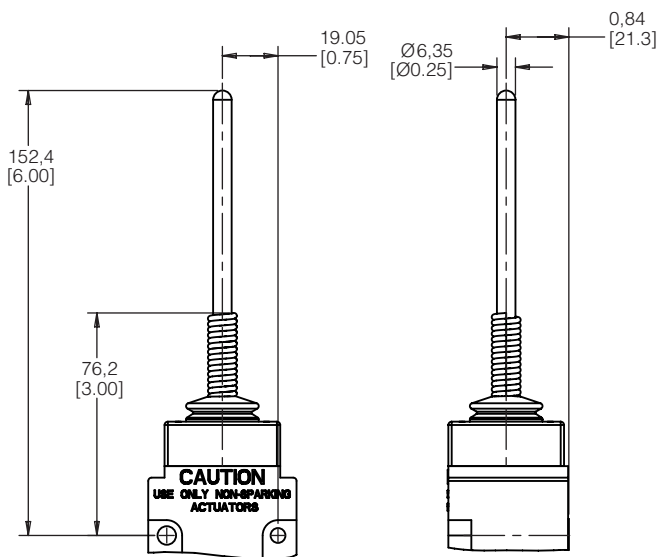
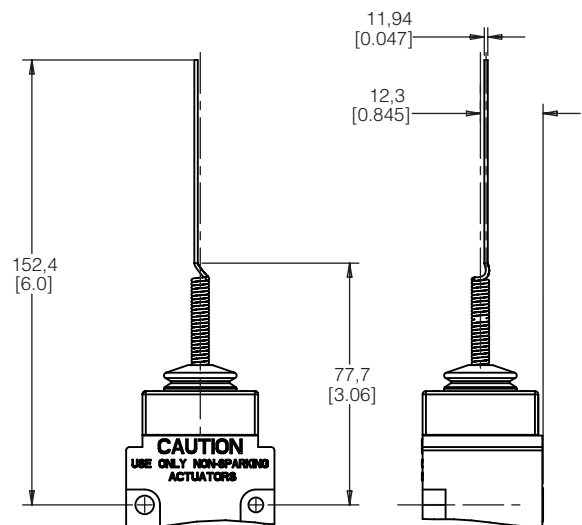


Figure 5. MICRO SWITCH™ LSX SERIES CAT WHISKER WOB-  
BLE, HEAD CODE K • mm [in]



# LSX Series

Figure 6. MICRO SWITCH™ LSX SERIES TOP ROTARY, HEAD CODE B • mm [in]

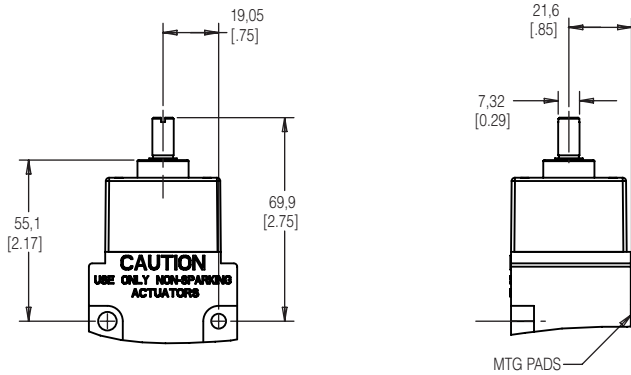


Figure 8. MICRO SWITCH™ LSX SERIES TOP ROLLER PLUNGER, HEAD CODE D • mm [in]

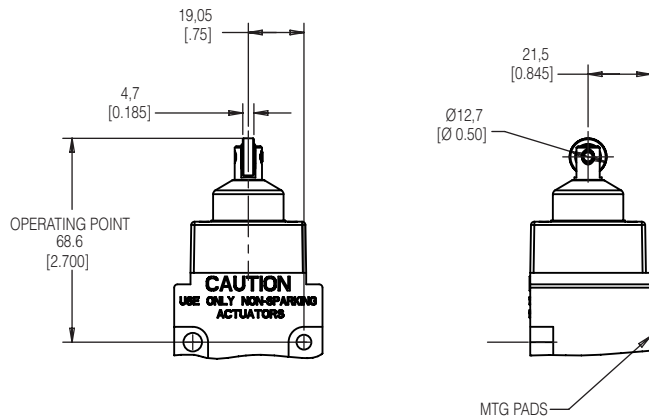


Figure 10. MICRO SWITCH™ LSX SERIES ADJUSTABLE TOP PIN PLUNGER, HEAD CODE V • mm [in]

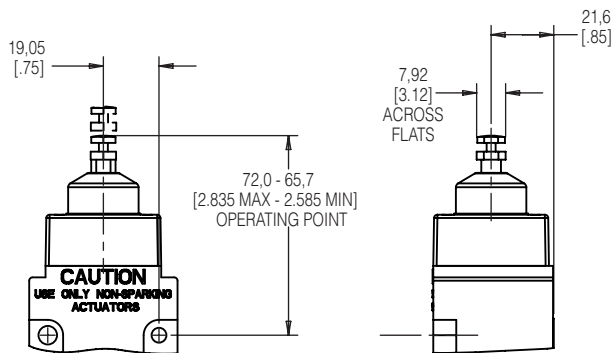


Figure 7. MICRO SWITCH™ LSX SERIES TOP PIN PLUNGER, HEAD CODE C • mm [in]

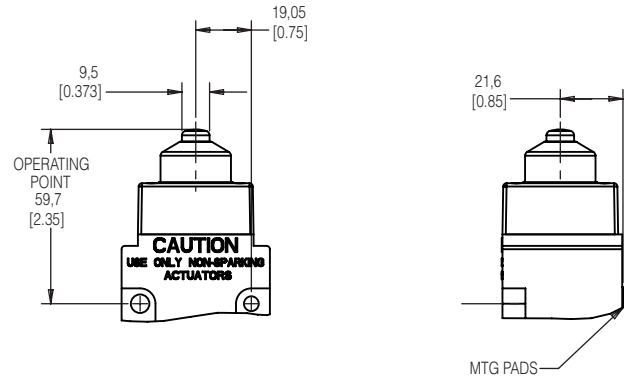


Figure 9. MICRO SWITCH™ LSX SERIES SIDE PLUNGER, HEAD CODE E • mm [in]

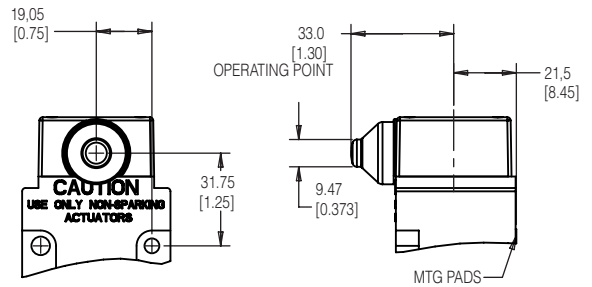


Figure 11. MICRO SWITCH™ LSX SERIES SIDE ROLLER PLUNGER, HEAD CODE F • mm [in]

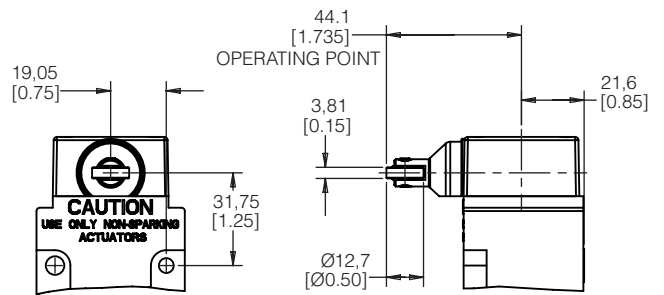


Figure 12. MICRO SWITCH™ LSX SERIES ADJUSTABLE SIDE PIN PLUNGER, HEAD CODE W • mm [in]

